

VW TILTMETER

INTRODUCTION:

The VW Tiltmeter of PMT is designed and developed for attachment to structures, on either a vertical or horizontal surface by means of an adjustable bracket, and for the subsequent measurement of any tilting that may occur. Typical application includes

- Monitoring inclination and rotation of dams, piers, piles etc.
- Evaluating the performance of bridges and struts under load
- Monitoring deformation of embankments, retaining walls etc
- Monitoring stability of structures in landslide zones

FEATURES:

- Rugged, robust and suitable for severe environment
- Wireless/Remote reading facility available
- Easy to install, operate and maintain

DESCRIPTION:

Vibrating wire tiltmeters consists of a basic sensor, mounted inside stainless steel housing to minimize the effect of corrosion. The Tilt meter is fixed on to a vertical or horizontal surface by means of an adjustable bracket and expandable anchors. The tilt sensor comprises of pendulous mass supported by VW sensor and an elastic hinge. The sensor senses the change in force caused by rotation of the centre of gravity of the mass. In Bi-axial system two transducers are mounted at 90 degree to each other.

The Tilt sensors should be protected from direct sun light at site and if it is exposed to direct sun light then it should be protected by suitable enclosure.

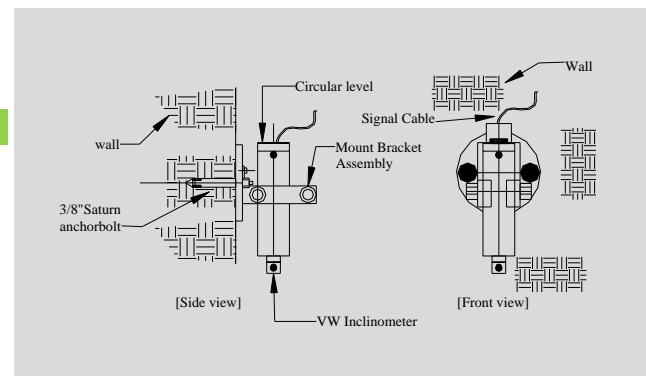
SPECIFICATIONS:

Model No.	1901V-I-TM
Sensor	Vibrating wire
Sensor Type	Uniaxial/Biaxial
Measuring range	+/-15°
Accuracy	±0.1% FSR
Resolution	+/- 10 arc seconds
Temperature Range	-20°C to +80°C

Dimensions and ranges are nominal only and can be modified to suit project requirements.



VW TILTMETER



SETUP